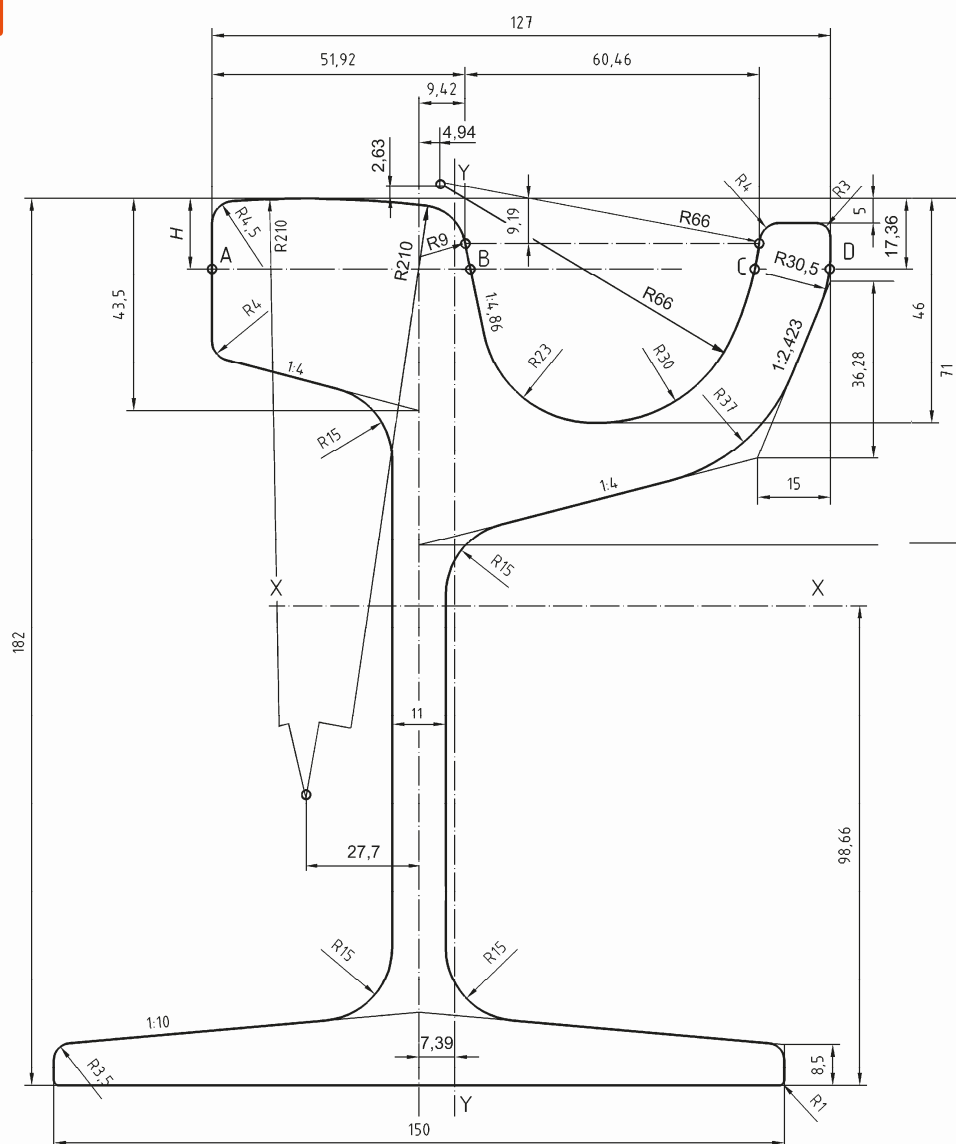




ArcelorMittal

Grooved Rails / Rillenschienen / Rail à Gorge

57R1
(Ph37)



ArcelorMittal

57R1
(Ph37)

Mass 56,54 kg/m

Area 72,03 cm²

Moment of Inertia

/xx 3031,0 cm⁴

/yy 829,8 cm⁴

Additional contact info: rails.specialsections@arcelormittal.com