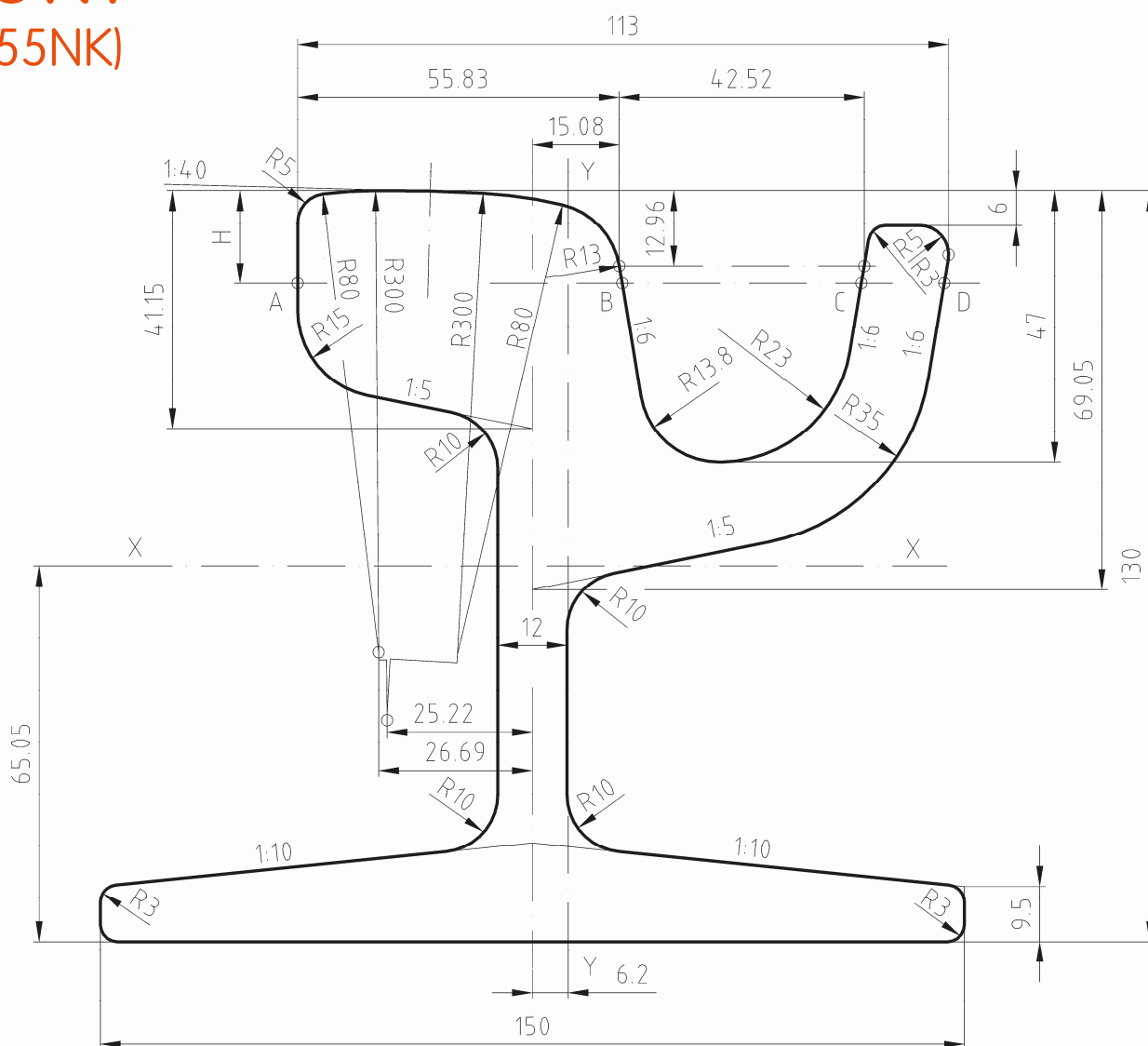




ArcelorMittal

Grooved Rails / Rillenschienen / Rail à Gorge

55R1 (Ri55NK)



ArcelorMittal

55R1 (Ri55NK)

Mass	55,45 kg/m
Area	70,63 cm ²
Moment of Inertia	
/xx	1976,4 cm ⁴
/yy	760,4 cm ⁴

Additional contact info: rails.specialsections@arcelormittal.com