

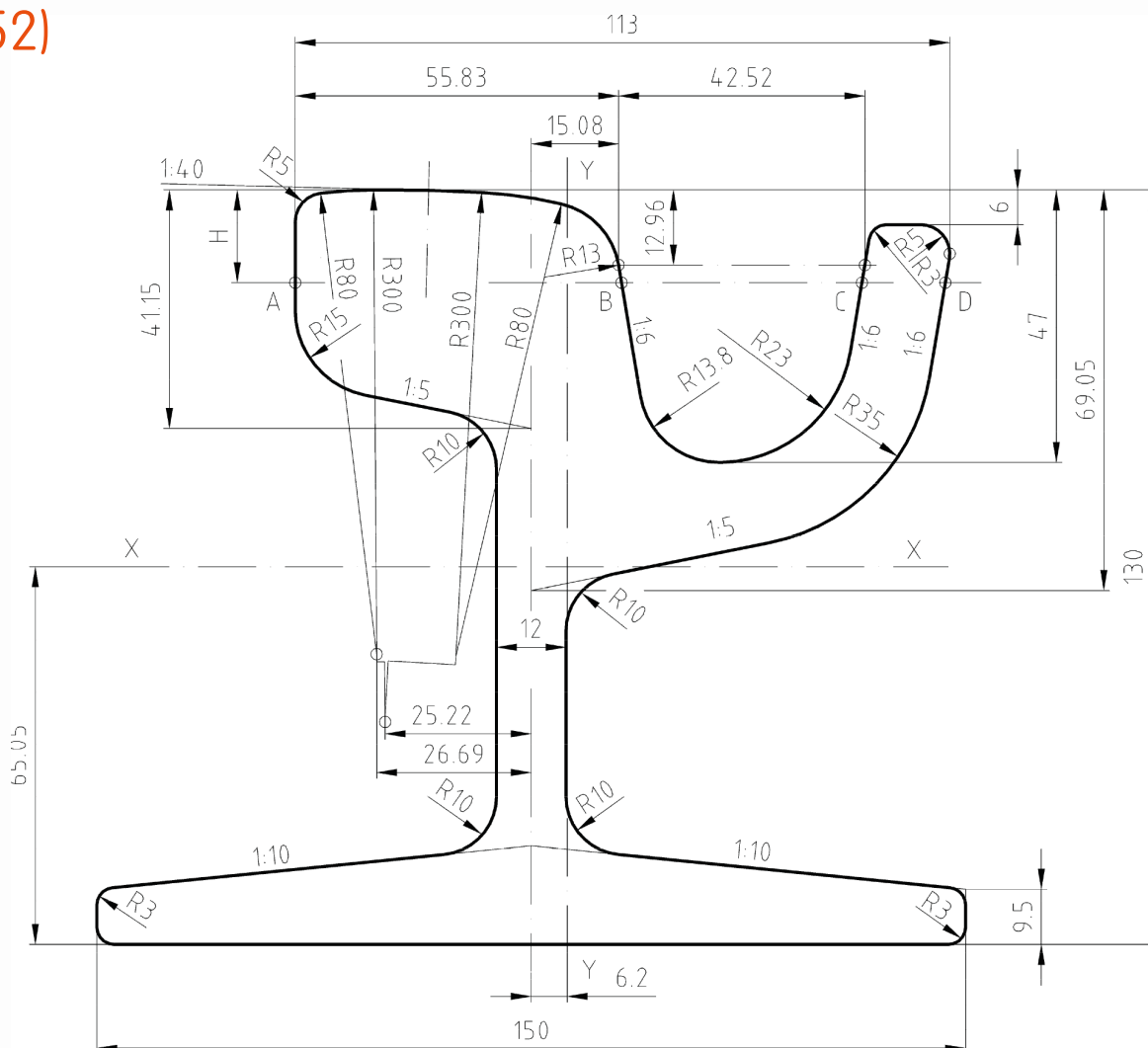


ArcelorMittal

# Grooved Rails / Rillenschienen / Rail à Gorge

## 51R1

(Ri52)



ArcelorMittal

## 51R1

(Ri52)

Mass 51,37 kg/m

Area 65,44 cm<sup>2</sup>

Moment of Inertia

/xx 1288,7 cm<sup>4</sup>

/xy 695,6 cm<sup>4</sup>

Additional contact info: [rails.specialsections@arcelormittal.com](mailto:rails.specialsections@arcelormittal.com)