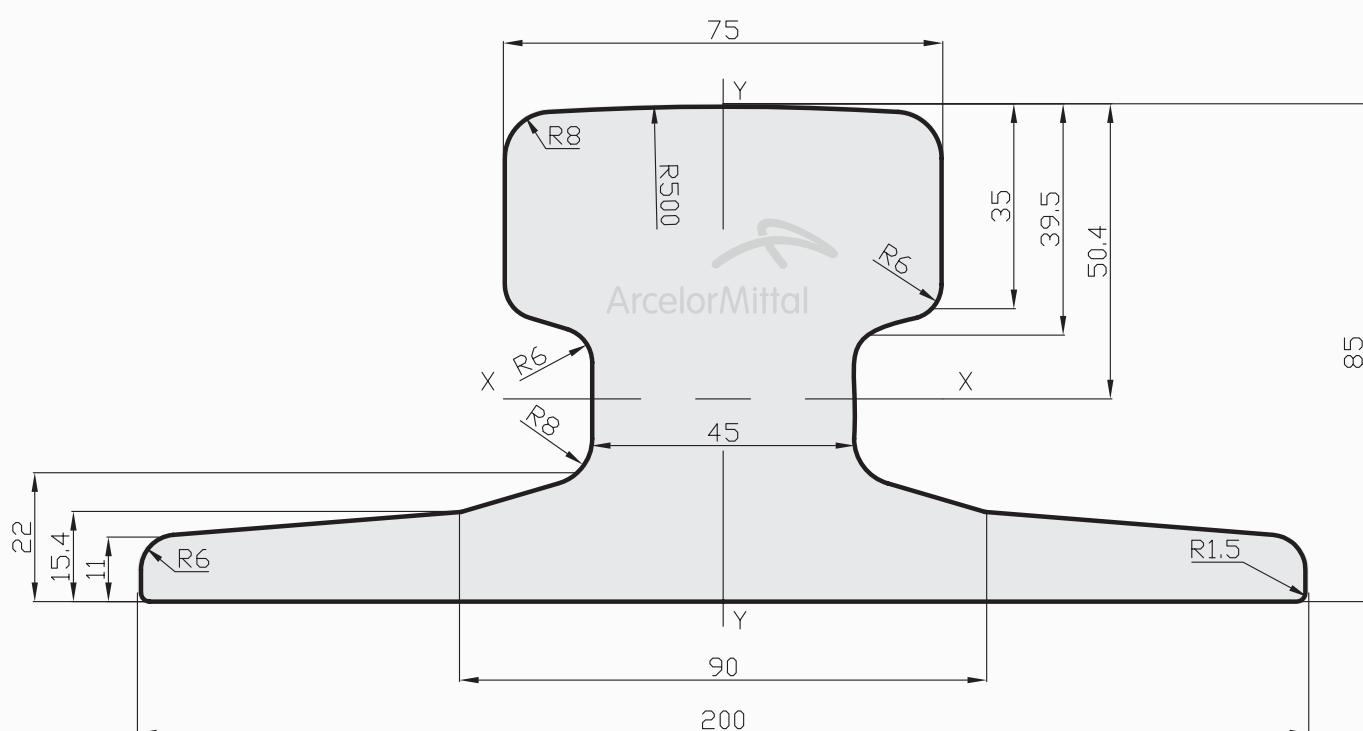




ArcelorMittal

Crane Rails / Carril de Grúa

A75



ArcelorMittal

A75

Mass	56,20 kg/m
Area	71,60 cm ²
Moment of Inertia	
/xx	531,0 cm ⁴
/yy	1011,0 cm ⁴

Additional contact info: rails.specialsections@arcelormittal.com